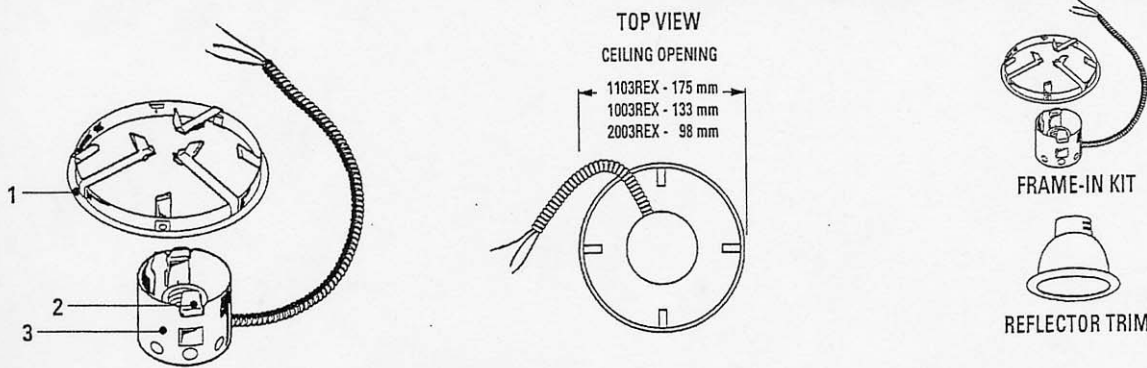


95 mm, 127 mm, and 171 mm Apertures
Incandescent
Non-IC Remodeler Frame-In Kit

Lytecaster®
Recessed
Downlighting

1003REX
FOR EXPORT ONLY 0798

TYPE:



95 mm Aperture: Complete Fixture consists of REFLECTOR TRIM & FRAME-IN KIT. Select each separately.

Frame-In Kit	Reflector Trims – See Individual Reflector Trim Specification Sheet				
	Open Downlight				Pinhole
	Alzak Cone	Satin Cone	Baffles		
<input type="checkbox"/> 2003REX	<input type="checkbox"/> 2012 <input type="checkbox"/> 2013	<input type="checkbox"/> 2013BK <input type="checkbox"/> 2013WH	<input type="checkbox"/> 2008 <input type="checkbox"/> 2010	<input type="checkbox"/> 2005 <input type="checkbox"/> 2005WH	<input type="checkbox"/> 2011

127 mm Aperture

Frame-In Kit	Reflector Trims – See Individual Reflector Trim Specification Sheet									
	Open Downlight						Recessed Adjustable	Enclosed Diffuser	Wall Washer	
	Alzak Reflector	Alzak Cone	Satin Cone	Baffles	Basic White	Pinhole				
<input type="checkbox"/> 1003REX	<input type="checkbox"/> 1045 <input type="checkbox"/> 1046	<input type="checkbox"/> 1012 <input type="checkbox"/> 1013 <input type="checkbox"/> 1013BK <input type="checkbox"/> 1013WH	<input type="checkbox"/> 1008 <input type="checkbox"/> 1010	<input type="checkbox"/> 1005 <input type="checkbox"/> 1005WH <input type="checkbox"/> 1076 <input type="checkbox"/> 1076WH	<input type="checkbox"/> 1071	<input type="checkbox"/> 1011	<input type="checkbox"/> 1027 <input type="checkbox"/> 1027WH <input type="checkbox"/> 1027BK Eyeball <input type="checkbox"/> 1022 <input type="checkbox"/> 1022WH	<input type="checkbox"/> 1038 <input type="checkbox"/> 1048 <input type="checkbox"/> 1023 <input type="checkbox"/> 1082	<input type="checkbox"/> 1021 <input type="checkbox"/> 1024 <input type="checkbox"/> 1078	<input type="checkbox"/> 1035 <input type="checkbox"/> 1035WH <input type="checkbox"/> 1085

171 mm Aperture

Frame-In Kit	Reflector Trims – See Individual Reflector Trim Specification Sheet									
	Open Downlight					Recessed Adjustable	Enclosed Diffuser	Wall Washer		
	Alzak Reflector	Alzak Cone	Cross Blade	Baffles	Basic White					
<input type="checkbox"/> 1103REX	<input type="checkbox"/> 1143 <input type="checkbox"/> 1144 <input type="checkbox"/> 1145 <input type="checkbox"/> 1146 <input type="checkbox"/> 1149 <input type="checkbox"/> 1150 <input type="checkbox"/> 1151	<input type="checkbox"/> 1112 <input type="checkbox"/> 1113 <input type="checkbox"/> 1113BK <input type="checkbox"/> 1113WH Satin Cone: <input type="checkbox"/> 1108 <input type="checkbox"/> 1110	<input type="checkbox"/> 1132	<input type="checkbox"/> 1105 <input type="checkbox"/> 1105WH <input type="checkbox"/> 1176 <input type="checkbox"/> 1176WH <input type="checkbox"/> 1176PB <input type="checkbox"/> 1179M1 <input type="checkbox"/> 1179WH	<input type="checkbox"/> 1170M1 <input type="checkbox"/> 1171	<input type="checkbox"/> 1127 <input type="checkbox"/> 1127WH <input type="checkbox"/> 1127BK <input type="checkbox"/> 1129 Low Voltage <input type="checkbox"/> 1152 <input type="checkbox"/> 1155 <input type="checkbox"/> 1155WH Eyeball <input type="checkbox"/> 1122 <input type="checkbox"/> 1123WH	<input type="checkbox"/> 1129CL <input type="checkbox"/> 1129GD <input type="checkbox"/> 1129BK <input type="checkbox"/> 1129WH <input type="checkbox"/> 1161 <input type="checkbox"/> 1161WH <input type="checkbox"/> 1158 <input type="checkbox"/> 1122WH <input type="checkbox"/> 1182PB	<input type="checkbox"/> 1137 <input type="checkbox"/> 1138 <input type="checkbox"/> 1147 <input type="checkbox"/> 1148 <input type="checkbox"/> 1163 <input type="checkbox"/> 1164 <input type="checkbox"/> 1160	<input type="checkbox"/> 1121 <input type="checkbox"/> 1124 <input type="checkbox"/> 1126 <input type="checkbox"/> 1128 <input type="checkbox"/> 1134 <input type="checkbox"/> 1177SH <input type="checkbox"/> 1178SH	<input type="checkbox"/> 1135 <input type="checkbox"/> 1135WH <input type="checkbox"/> 1185 <input type="checkbox"/> 1186 <input type="checkbox"/> 1186WH

Features

1. **Mounting Ring:** .032 (#22 ga.) galvanized steel. Accommodates existing ceilings up to 51 mm thick. Attaches securely to any type of ceiling material without tools using (3) mounting straps provided. Push-in/Twist-out clips hold reflector flush to ceiling. Includes adhesive backed aperture template.

Options & Accessories

Replacement Clips (Set of 3): 1997

WE RESERVE THE RIGHT TO CHANGE DETAILS OF DESIGN, MATERIALS AND FINISH IN ANY WAY.

LIGHTOLIER a GENLYTE company.
631 Airport Road, Fall River, MA 02720
(508) 679-8131 • Fax (508) 674-4710

© Copyright 1998

LIGHTOLIER